

ROTAGO™

Cart and Infusion Stand

**Find out where
ROTAGO can fit
in your lab!**

Unfold to see the size of ROTAGO's cart base

**MASTER THE
COMPLEX™**

ROTAGO™

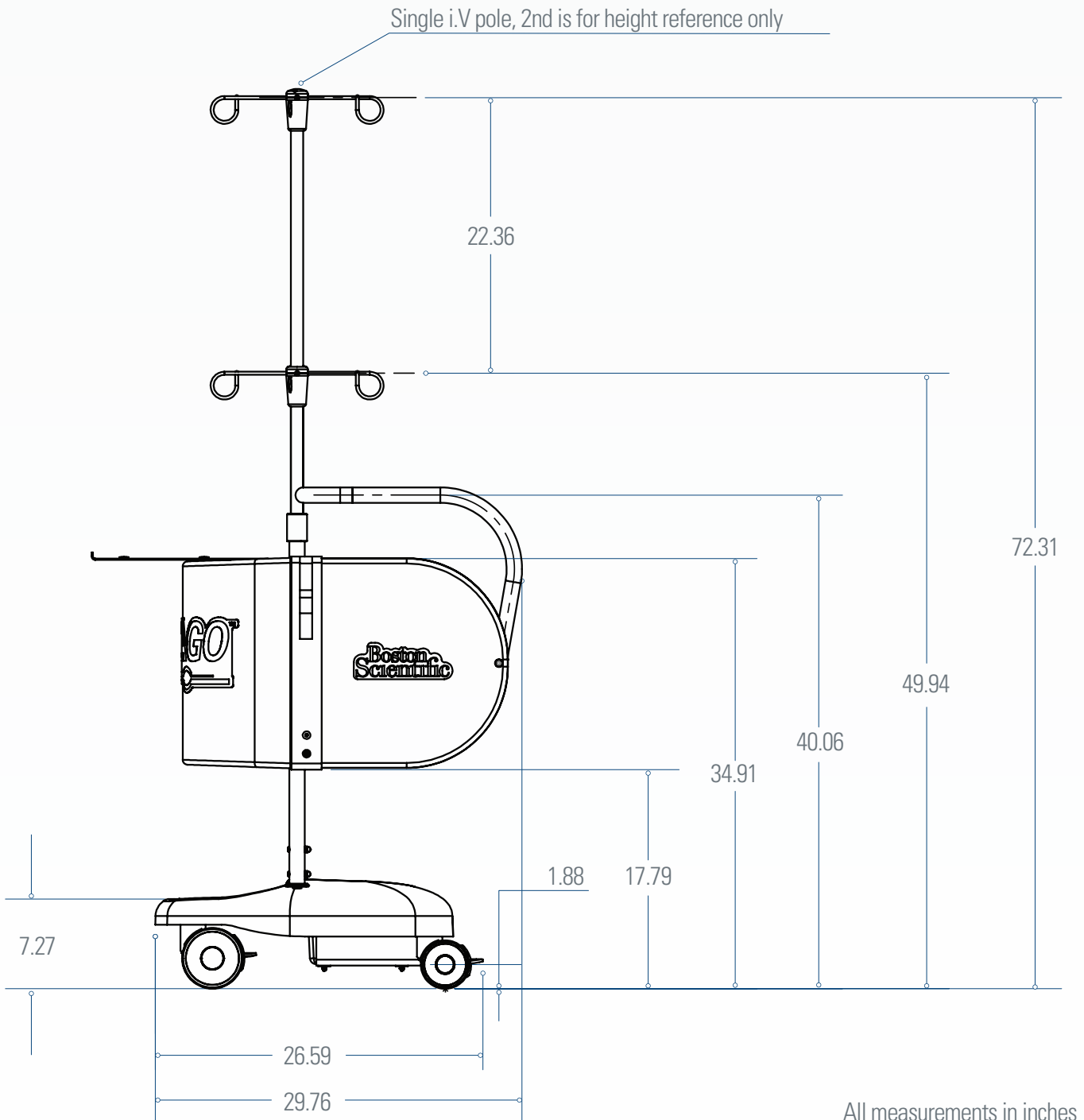
Cart and Infusion Stand



Streamlined setup so you
can **GO** with **ROTAPRO!**

- Mobile solution for the ROTAPRO system and air tank
- Consolidates system components, making it easier to transport, use and set up
- Incorporated IV pole for the ROTAPRO system console

ROTAGO Technical Information



Weight Load Capacity	86 lbs
Air Tank Compatibility	Tanks 80 – 150 cu ft
Cart Width	24.17"
Cart Length	29.76" (max length at handles)
Cart Height	49.94" (IV pole fully retracted) 72.31" (IV pole fully expanded)

Ordering Information

Product Configuration	UPN	GTIN
ROTAGO Cart	H74939369010	08714729974307

CAUTION: The law restricts these devices to sale by or on the order of a physician. Indications, contraindications, warnings and instructions of use can be found in the product labeling supplied with each device. Information for the use only in countries with applicable health authority product registrations. All cited trademarks are the property of their respective owners.

The information presented in this document by Boston Scientific is intended for healthcare professionals in India. [The information presented in this document is intended to provide balanced, scientific, and evidence-based answers to unsolicited medical questions.] The information should not be, however, treated as comprehensive and does not intend to provide diagnosis, treatment or any medical or health advice. For full information about the product, please refer to the appropriate product labeling. Responsibility for patient care resides with the healthcare professional on the basis of his or her professional license, experience and knowledge of the patient. Healthcare professionals must rely on their judgment when deciding which treatments and procedures to use with patients.

**Boston
Scientific**

Advancing science for life™

Boston Scientific India Pvt. Ltd,
Bestech Business Tower,
3rd Floor, Sector 48, Sohna Road,
Gurgaon – 122018
www.bostonscientific.com

© 2022 Boston Scientific Corporation or its affiliates.
All rights reserved.

customercare.india@bsci.com

IC- 1237406-AA