

# Advancing Pancreaticobiliary Disease Management

## AXIOS™

Stent and Electrocautery Enhanced Delivery System

*Invented by Dr. Ken Binmoeller*

Select a Menu Option Below

Features &  
Benefits

Expanding  
Innovation

Ordering  
Information  
& Resources

Whether cases are simple or complex,  
**the standard of care should be anything but standard.**

The AXIOS Stent and Electrocautery Enhanced Delivery System provides a simpler and faster treatment option for patients, we can now provide an endoscopic solution that provides relief for these patients using one device in a single setting.

— **Kenneth Binmoeller, M.D.**  
California Pacific Medical Center, San Francisco, CA  
and the inventor of the AXIOS System.

**Boston  
Scientific**  
Advancing science for life™



Because today's barriers are  
tomorrow's breakthroughs.



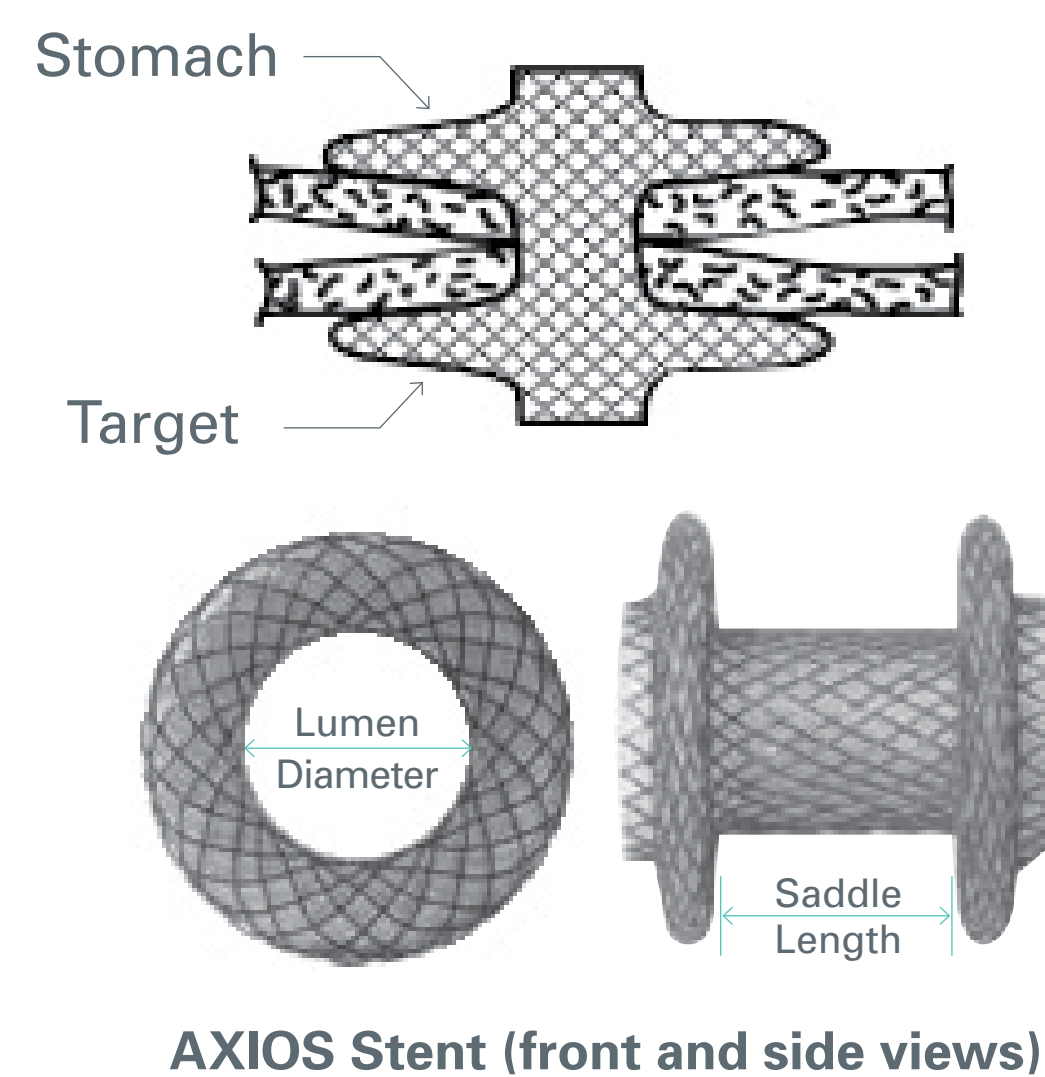
# Enabling an Endoscopic Solution



## The AXIOS™ Stent and Electrocautery Enhanced Delivery System

is the first and currently the only stent indicated for transgastric or transduodenal endoscopic drainage of symptomatic pancreatic pseudocyst and walled off necrosis under EUS imaging guidance in the U.S. The cautery-enhanced access and delivery catheter is advanced through the tissue creating a transluminal conduit between the stomach or duodenal wall and the pancreatic pseudocyst where the pre-loaded stent is deployed to provide drainage.

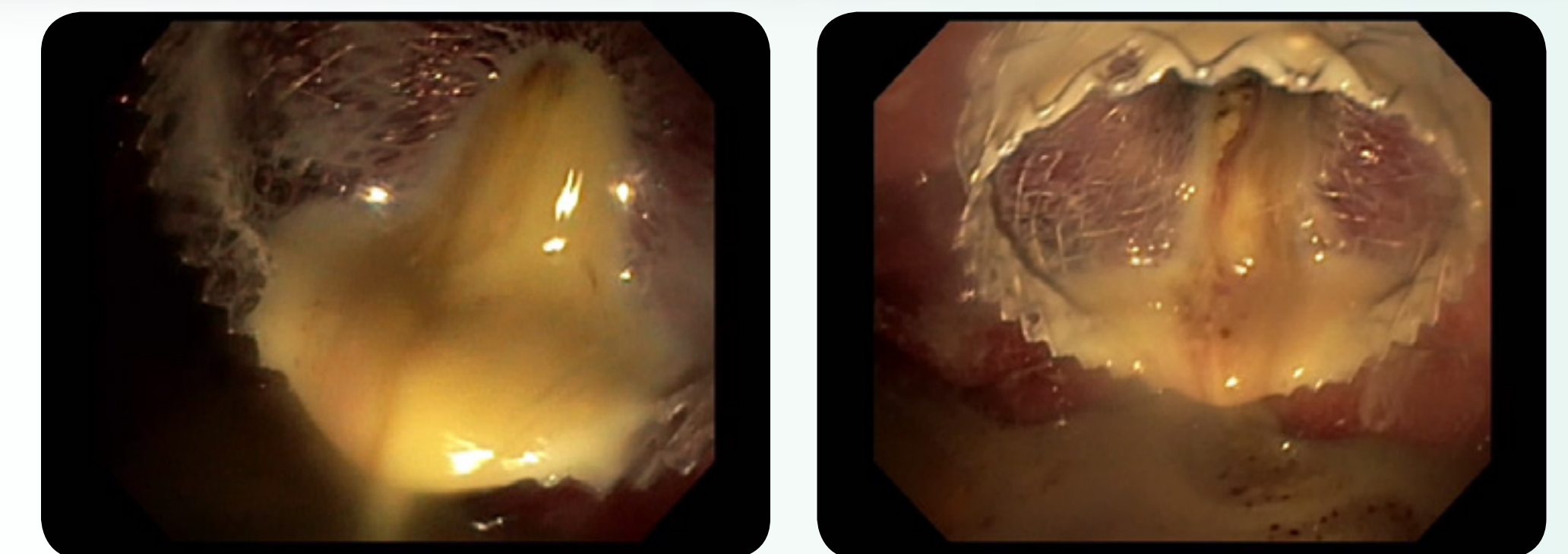
## Stent Design



- Proprietary one-step combined diathermic ring and cut-wire provides access into target tissue
- MRI conditional, fully covered self-expanding metal stent pre-loaded in the delivery catheter
- Perpendicular flanges secure tissue layers and help prevent migration
- Three sizes available, with the largest featuring a 20mm lumen for drainage
- Large diameter lumen apposition stent enables drainage allowing passage of the endoscope through the stent for additional therapeutic procedures including cystoscopy, irrigation and debridement

## Potential Clinical Benefits

Previous available technologies for endoscopic management of pancreatic pseudocysts were not originally designed or intended for this type of treatment.



Images provided by Dr. Adler.

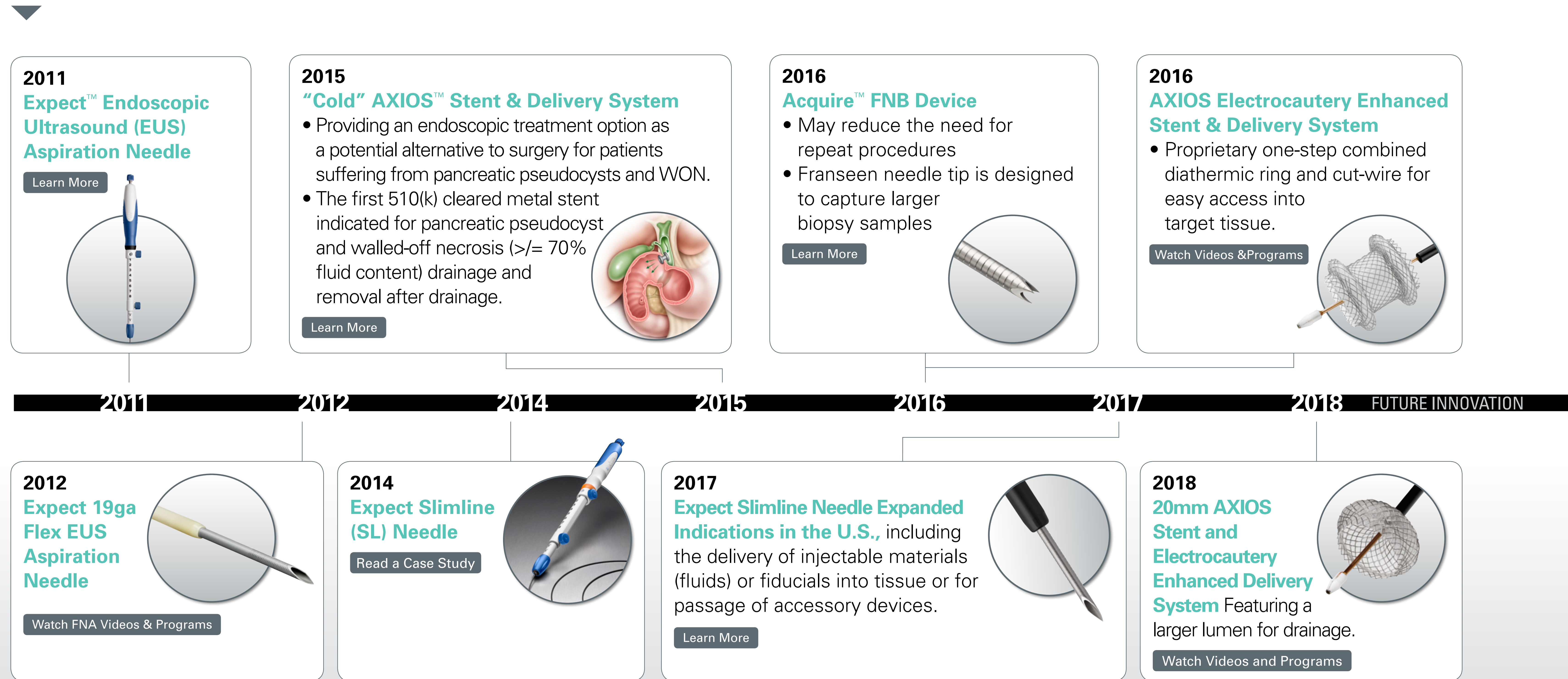
**“The 20mm AXIOS Stent size was ideal for my patient with a large PFC/WON as it allowed rapid drainage of solid and liquid contents and will greatly facilitate endoscopic necrosectomy going forward.”**

— Douglas G Adler MD, FACP, AGAF, FASGE  
University of Utah School of Medicine,  
Huntsman Cancer Center, Salt Lake City, Utah, U.S.A.



# Expanding Innovation in EUS

Click / Tap on a milestone below to learn more (Internet Required)






# AXIOS™ Stent System

The **AXIOS Stent and Electrocautery Enhanced Delivery System** is available in the following stent configurations. Each AXIOS Stent comes pre-loaded into the AXIOS Delivery System.

Product Code	Description	Flange Diameter (mm)	Lumen Diameter (mm)	Saddle Length (mm)	Catheter OD (Fr)	Catheter Working Length (cm)	Catheter Total Length (cm)
M005 <b>53640</b>	1 AXIOS System with 10x10 Stent	21	10	10	10.8	138	146
M005 <b>53650</b>	1 AXIOS System with 15x10 Stent	24	15	10	10.8	138	146
M005 <b>53660</b>	1 AXIOS System with 20x10 Stent	29	20	10	10.8	138	146

### Additional Resources



Download the **Product Catalog**

**PRODUCT CATALOG** ▶



Visit [www.BostonScientific.com/Gastro](http://www.BostonScientific.com/Gastro) for information about Boston Scientific **devices, services and solutions**

**WWW.BOSTONSCIENTIFIC.COM/GASTRO** ▶



Visit [EndoSuite.com](http://EndoSuite.com) to watch various educational EUS programs, case studies, and lectures

**ENDOSUITE.COM** ▶



**FOLLOW US ON TWITTER** ▶



**Boston  
Scientific**

Advancing science for life™

**\*The AXIOS Stent and Delivery System and the AXIOS Electrocautery Enhanced Stent and Delivery System Indications for Use:** The AXIOS Stent and Delivery System and the AXIOS Electrocautery Enhanced Stent and Delivery System is indicated for use to facilitate transgastric or transduodenal endoscopic drainage of symptomatic pancreatic pseudocysts  $\geq 6$ cm in size and walled-off necrosis  $\geq 6$ cm in size with  $\geq 70\%$  fluid content that are adherent to the gastric or bowel wall. Once placed, the AXIOS Stent functions as an access port allowing passage of standard and therapeutic endoscopes to facilitate debridement, irrigation and cystoscopy. The stent is intended for implantation up to 60 days and should be removed upon confirmation of pseudocyst or walled-off necrosis resolution.

All trademarks are the property of their respective owners.

Indications, Contraindications, Warnings and Instructions for Use can be found in the product labeling supplied with each device.

**Caution: U.S. Federal law restricts this device to sale by or on the order of a physician.**

Boston Scientific Corporation  
300 Boston Scientific Way  
Marlborough, MA 01752-1234  
[www.BostonScientific.com/gastro](http://www.BostonScientific.com/gastro)  
[www.EndoSuite.com](http://www.EndoSuite.com)

©2018 Boston Scientific Corporation  
or its affiliates. All rights reserved.

ENDO-394413-AB May 2018